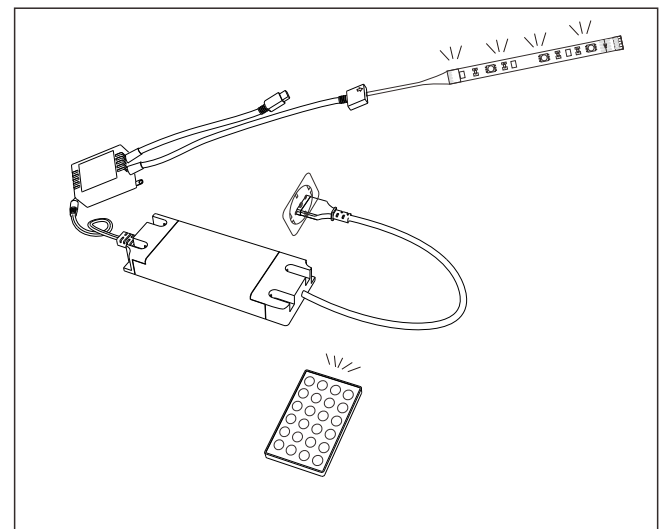
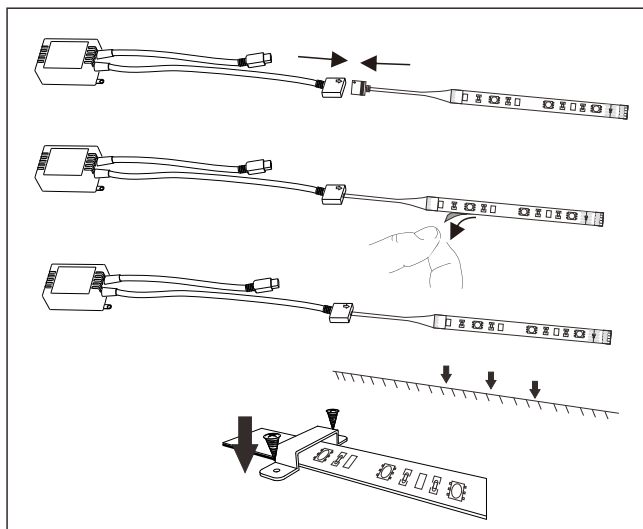
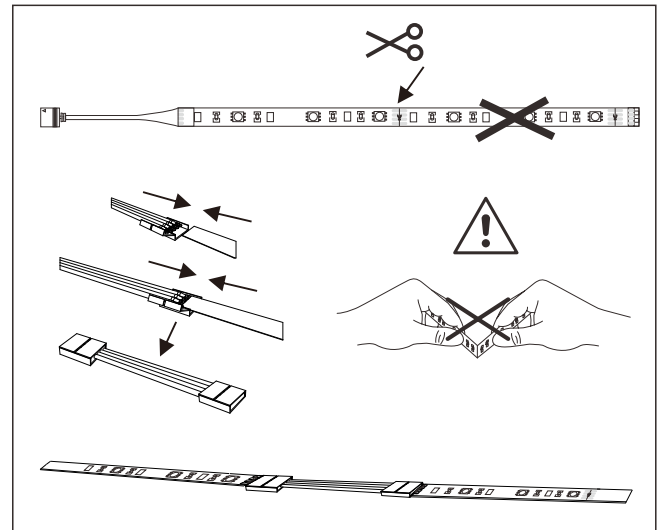
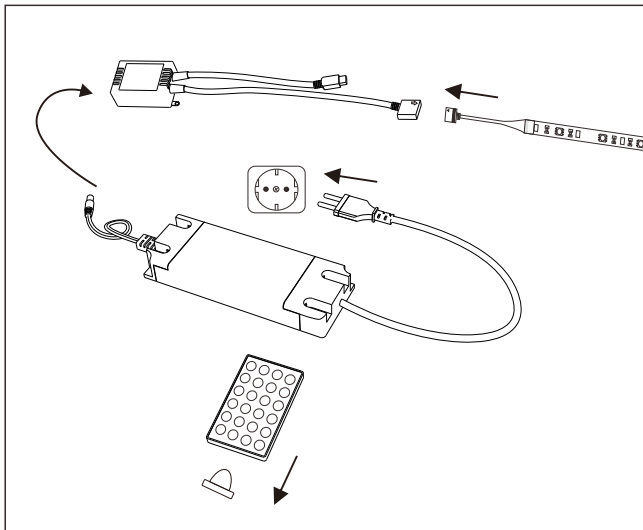
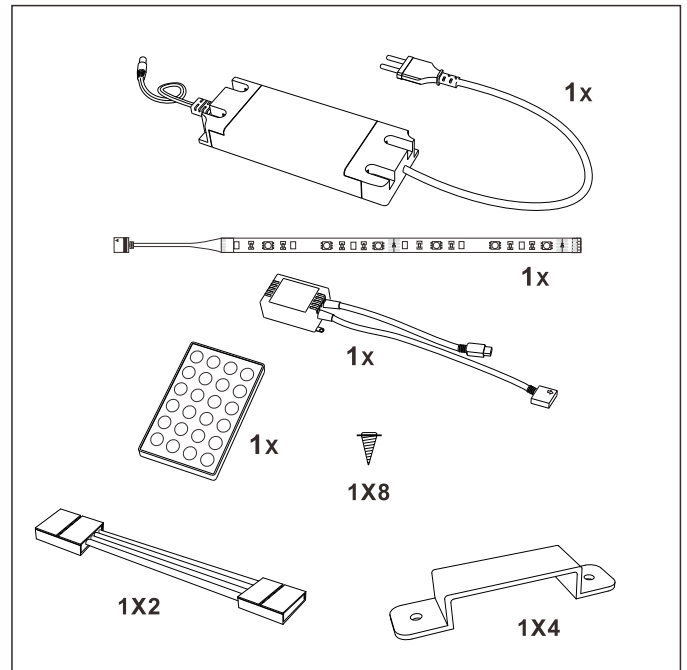
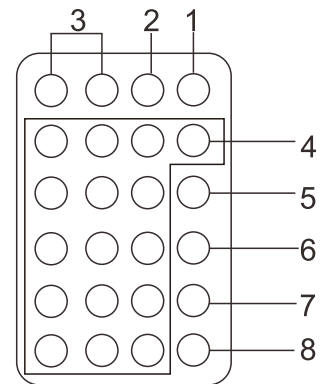


EGLO

Art. No.: 97927



Remote Controller Function



- (1) ON
- (2) OFF
- (3) Adjust the brightness under the static color mode. (5 steps increasing 5 steps reducing).
Adjust the speed of the color changing under the dynamic mode. (5 steps increasing 5 steps reducing).
- (4) Direct access to 16 permix colors (Brightness is adjustable)
- (5) Static color mode: Neutral white
- (6) Dynamic mode: Seven colors changing in jumping style.
- (7) Dynamic mode: Seven colors changing in gradualness style.(Fast)
- (8) Dynamic mode: Seven colors changing in gradualness style.(Slow)

Safety notes

- The user of the device must have read and understood these operating instructions prior to its first use in order to safely implement this device.
- The device must only be used when it functions properly. If the device or part of the device is defective, have it repaired by a specialist.
- Always keep the operating instructions within reach.
- If you sell or pass on the device, you must also pass on these operating instructions.
- Never use the unit in a room where there is a danger of explosion or in the vicinity of flammable liquids or gases.
- The unit may only be connected to a grounded socket which has been installed professionally, is grounded and checked.
- Main power voltage and fuse must meet the Technical Data specifications.
- If the power cable or the device is damaged immediately pull out the plug. Do not use the device again and dispose of properly.
- Do not bend, crush or pull the cable, protect from sharp edges, oil and heat.
- If the device is not in use, make sure the plug is pulled out.
- Do not touch the power connector with wet hands! Always unplug by pulling the connector, not the cable.
- Do not lift the device using the cable or use the cable for purposes other than intended.
- The power cable may not be shortened.



The light can only be used in dry indoor areas.



Risk of damage to the eyes! Never look directly into the LED.